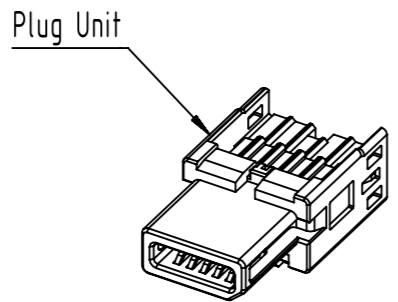
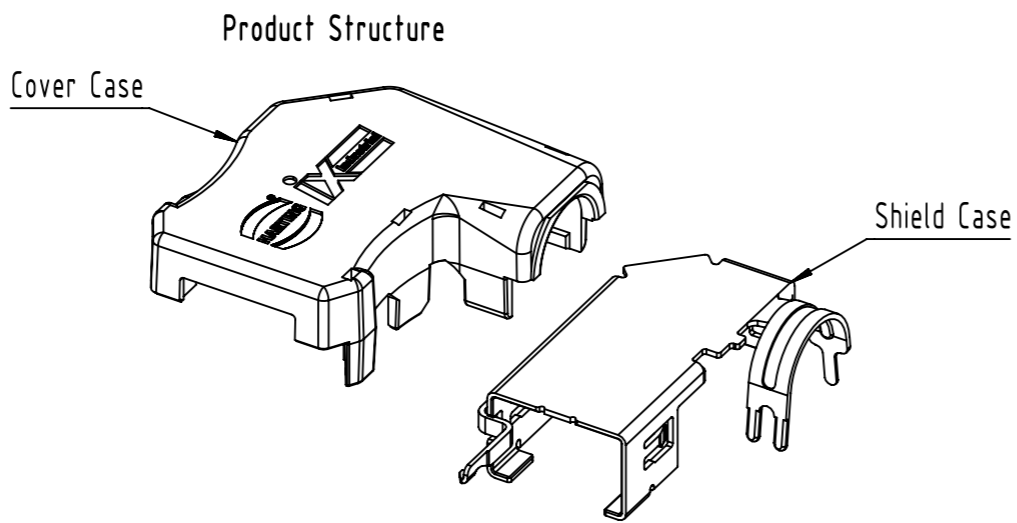
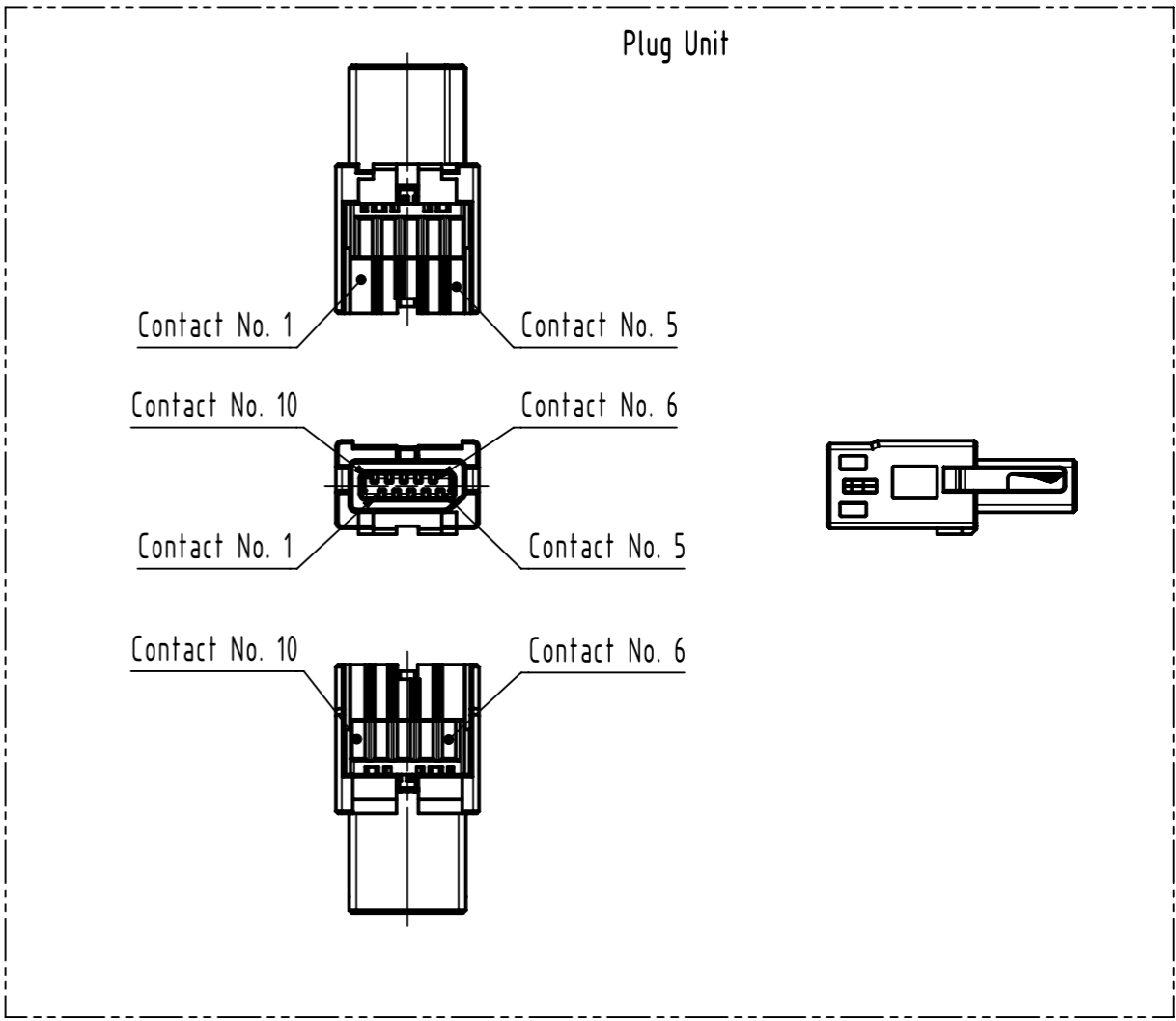
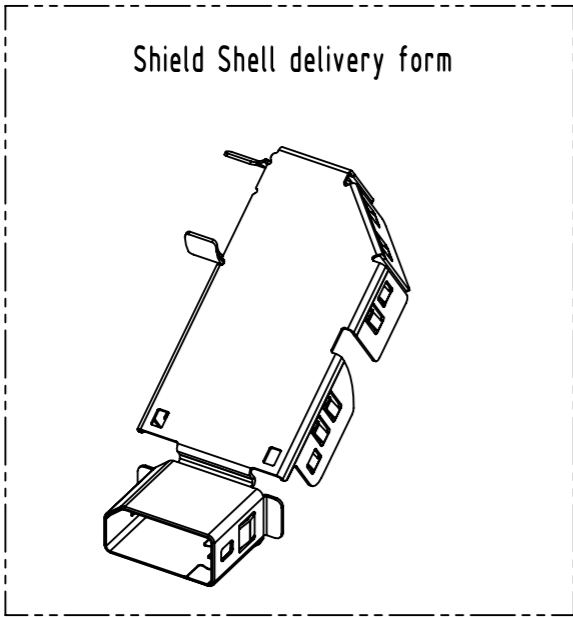


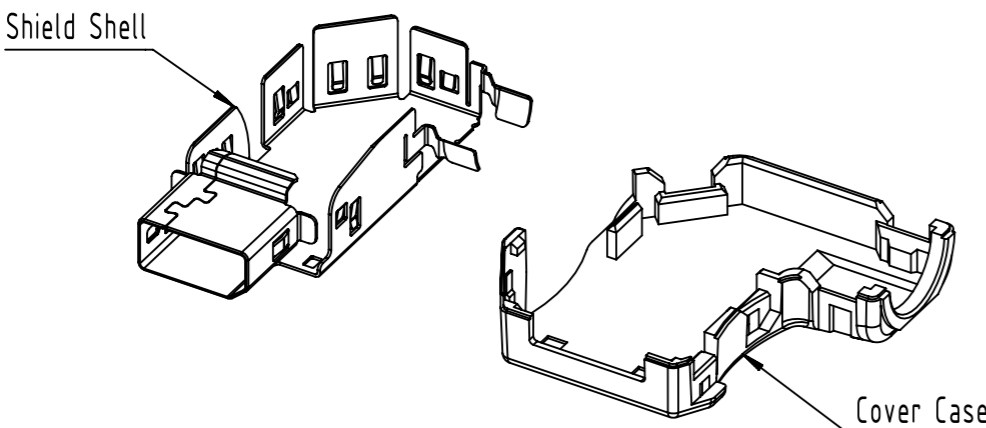
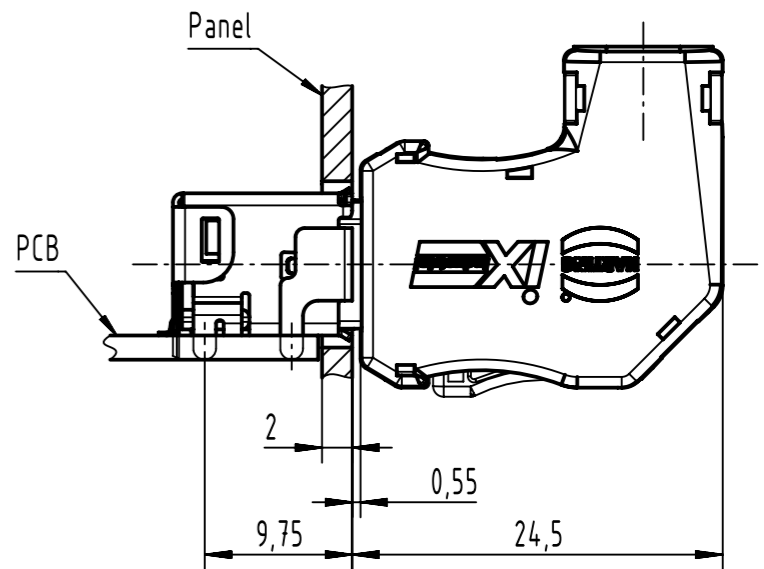
Applicable cable	
Items	Applicable condition
Conductor size	AWG 28-22
Insulation O.D.	$\varnothing 1,55$ mm max.
Braid Shield	Tin plating
Sheath O.D.	$\varnothing 5,5$ mm - $\varnothing 7,2$ mm

Contact material: copper alloy
 Contact area: Gold 0,2 μ m min.
 Wiring area: Gold 0,03 μ m min.
 Under plating: Nickel 2 μ m min.

	All Dimensions in mm Original Size DIN A3		Scale 2:1	Free size tol.		Ref.	
	All rights reserved Department EL PD		Created by BALSAN	Inspected by PREOTU	Standardisation ROEBEN	Date 2022-05-20	State Final Release
HARTING D-32339 Espelkamp		Title ix Industrial 10B-1 plug A3-S				Doc-Key / ECM-Nr. 100903666/UGD/000/B 500000216905	
		Type TB	Number 09451819025XL			Rev. B	Page 1/2



Mating condition (2:1)



	All rights reserved	Created by BALSAN	Inspected by PREOTU	Standardisation ROEBEN	Date 2022-05-20	State Final Release	
	Department EL PD	Title ix Industrial 10B-1 plug A3-S				Doc-Key / ECM-Nr. 100903666/UGD/000/B 500000216905	
HARTING D-32339 Espelkamp	Type TB	Number 09451819025XL				Rev. B	Page 2/2